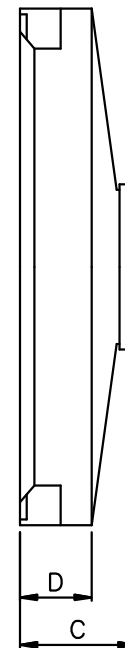
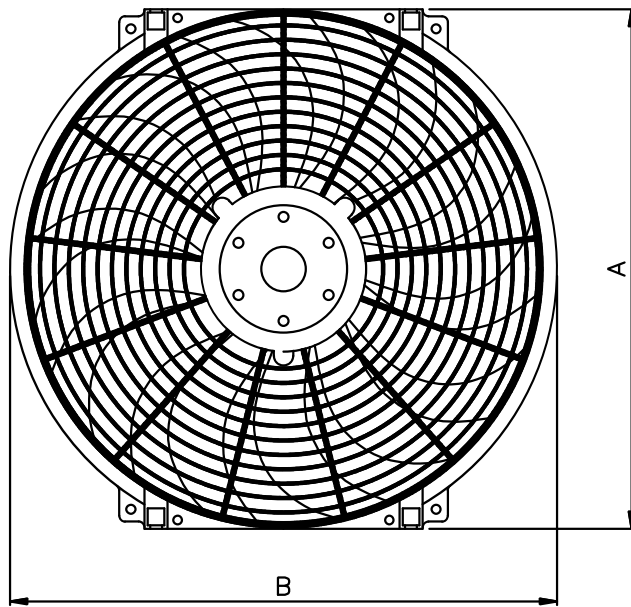


12 & 24V DC sickle bladed fans

Part number	Dia (in)	Blower/Suction	A (mm)	B (mm)	C (mm)	D (mm)	Power Watt	V (DC)	Flow (cfm)	Flow (m ³ /h)
14-E1067B1	7	B/S	184	184	58.9	36	90	12V	352	598
14-E0190B1	9	B/S	210	210	58.9	36	90	12V	360	611
14-E0190B1-24	9	B/S	210	210	58.9	36	90	24V	360	611
14-4910B1	10	B/S	270	282	58.9	40	90	12V	650	1104
14-4010B1-24	10	B/S	272	282	46	40	90	24V	680	1155
14-4911B1	11	B/S	292	317	65.9	41	110	12V	880	1495
14-4511B2-24	11	B/S	292	317	65.9	41	110	24V	880	1495
14-5712B1	12	B	311	320	68	45	265	12V	1328	2257
14-4513B3	13	B/S	351	366	84.8	46	130	12V	1350	2293
14-4513B3-24	13	B/S	351	366	84.4	46	130	24V	1350	2293
14-SL14R9	14	B/S	356	356	65	65	222	12V	1706	2900
14-4916B9	16	B/S	386	423	100	49	225	12V	2320	3942
14-4416B9-24	16	B/S	386	423	100	49	225	24V	2320	3942
14-SL17R	17	B/S	428	428	65	65	270	12V	2784	4730



14 & 17" 2 speed motors



Other models single speed
Note: 12" not reversible