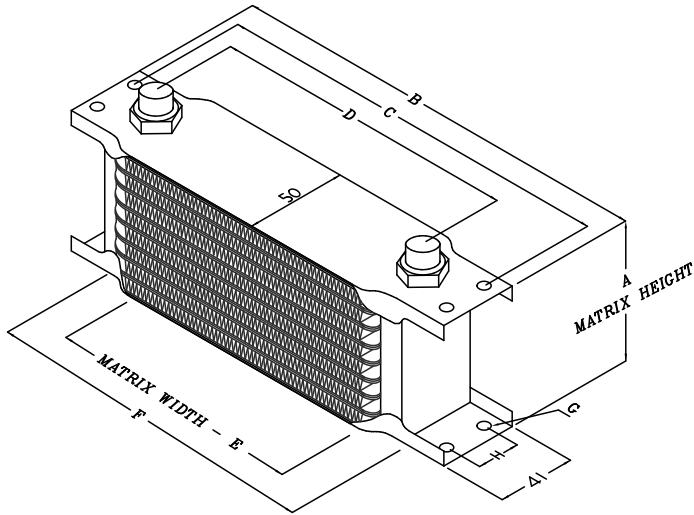


VENTURA HIGH PERFORMANCE PLATE TYPE OIL COOLERS



DIMENSIONS

E	B	C	D	F	G	H
235mm	330	308	248.5	295	7.1Dia	22.2
115mm	210	188	132	165	7.1Dia	22.2

Matrix Width	Component Number	Number of Rows	Matrix Height	Mass	Capacity	Matrix Face Area	Dissipation ***	Thread
Dim E			Dim A	(Kg)	(Litre)	(m ²)	kW	
235mm	7019807	10	77	0.71	0.20	0.018	5.1	AN10(1/2"NPT)
	7011516	13	100	0.88	0.26	0.024	6.6	AN10(1/2"NPT)
	7019109	16	124	1.06	0.32	0.029	8.2	AN10(1/2"NPT)
	7019110	19	147	1.24	0.38	0.035	9.7	AN10(1/2"NPT)
	7011270	25	194	1.60	0.50	0.046	12.4	AN12(3/4"NPT)
	7011228	34	265	2.14	0.68	0.062	14.3	AN16(1" NPT)
115mm	7011092	10	77	0.42	0.12	0.009	3.0	AN10(1/2"NPT)
	7011095	16	124	0.63	0.20	0.014	4.8	AN10(1/2"NPT)

100% Static Pressure Test		Cyclic Pressure Test	
Test Pressure	Working Pressure	Pressure	Cycles
13.5 bar (195 psi)	12 bar (175 psi)	0-13.5 bar (200 psi)	50 000 cycles

***Heat dissipation values based on: Inlet oil temp 75°C, Air temp 15°C,(ΔT = 60°C) Airspeed 20m/s